

**ROTAX® HD SHORT
SUBSEA ROTATION
SENSOR
PRODUCT SHEETS**

Rotax® HD Short: compact subsea rotation sensor designed to withstand harsh operating conditions



SELECTION & OPTION LIST

For every Rotax® HD Short the following configuration items must be determined:

- **Rotation angle range.** The sensor can be supplied in either single-turn or multi-turn versions.
- **Data output format.** SSI and CANBUS data output formats are possible.

The following features are optional:

A **Mounting brackets.**

As an alternative to a standard mounting made directly through the threaded mounting holes, a flange mounting bracket is available.

B **Shaft clamp**

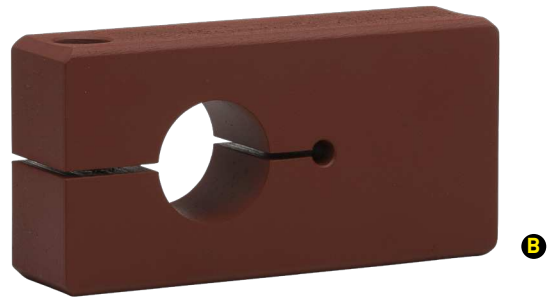
This shaft clamp, to be bolted onto the sensor shaft, can be used to connect (via a welded connection) to a lever to establish a mechanical connection to, for example, a crane boom.

C **Cable assembly**

The sensor can be supplied with custom-made cabling in a variety of lengths, allowable loads, and connector types.



Rotax® HD Short executed with a Subconn® Micro 6-pole connector



TYPICAL APPLICATIONS

The Rotax® HD Short rotation sensor is specifically designed for accurate rotation measurement in harsh subsea environments, including:

- Dredging equipment such as booms, bucket angles, and suction tubes
- Offshore structures such as A-frames
- Flood gates
- Spud poles
- Winches



ROTAX® HD SHORT SUBSEA ROTATION SENSOR SPECIFICATIONS

GENERAL

	METRIC	IMPERIAL
Main dimensions	See detailed drawings	
Material housing / shaft	Stainless steel 316L / 431	
Weight in air	± 7.9 kg	± 17 lbs
Maximum static axial shaft load	5 kN	1124 lbf
Maximum static radial shaft load	6 kN	1349 lbf
Maximum working depth	100 m	328 ft
Operational temperature range	-10°C - +60 °C	14 °F - +140 °F

ELECTRICAL – SSI DATA OUTPUT

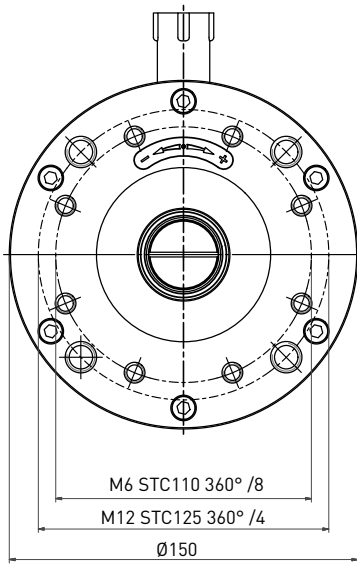
Supply voltage	7 - 30 V DC
Current consumption	50 mA (ST), 100 mA (MT)
Maximum resolution	Single turn: 17 bits, Multi turn: 12 bits
Output code	SSI gray or SSI binary
Connector	Subconn® Micro 8-pole Male

ELECTRICAL – CAN BUS DATA OUTPUT

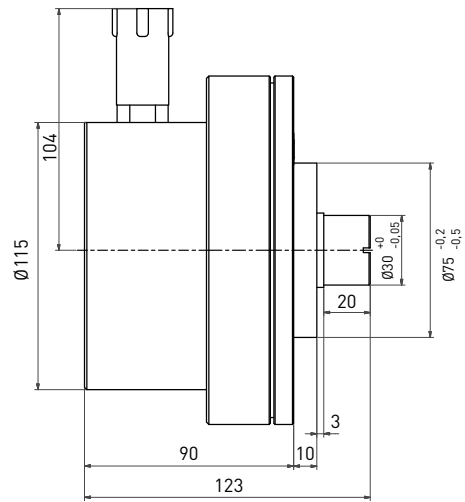
Supply voltage	10 - 30 V DC
Current consumption	Max. 100 mA
Output signal	CAN open
Maximum resolution	Single turn: 13 bits, Multi turn: 16 bits
Accuracy	± 0.025°
Connector	Subconn® Micro 6-pole Male

DIMENSIONS

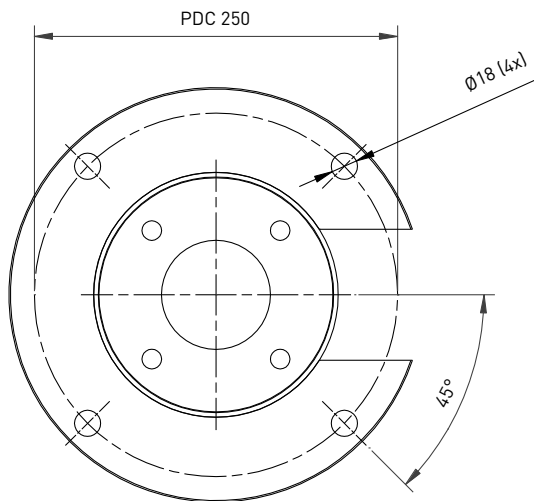
TOP VIEW



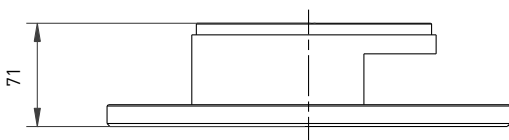
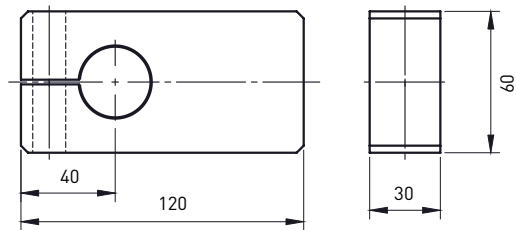
SIDE VIEW



OPTION A



OPTION B



3D CAD files in STEP format are available on www.seatools.com

seatools

Edisonstraat 67
3281 NC Numansdorp
The Netherlands
Tel. +31 (0) 186 68 00 00
www.seatools.com
info@seatools.com

UNDERWATER SPECIALISTS