

**WIRE LENGTH
MEASUREMENT
WLM 5
PRODUCT SHEETS**

The WLM 5 sensor: highly accurate distance measurement in harsh dredging and offshore environments.



SELECTION & OPTION LIST

For every WLM sensor the following configuration items must be determined:

- **Data output format.** In its standard configuration the WLM 5 can be executed with either a 4 – 20 mA current output signal, or a 0-10 V voltage output signal. Other (digital) output data formats, such as CAN bus, Profibus, and SSI are available upon request.
- **Measurement range.** In order to maximize measurement accuracy, the WLM sensor will be set to a pre-specified measurement range which can be up to 5 meters.

The following features are options:

A Precursor wire length

Adding precursor wire length allows for increasing the distance between the sensor and the measurement starting point.

B Cable assembly

The sensor can be supplied with custom-made cabling in a variety of lengths, allowable loads, and connector types.

C Connector type

The sensor is supplied standard with either Subconn® Mirco-Circular or with a cable gland. Other connector types are available upon request.

TYPICAL APPLICATIONS

The WLM sensor range is specifically designed for stroke and distance measurement in offshore, dredging, and subsea¹ applications, including:

- Spud pole position measurement
- Suction tube position measurement
- Hydraulic cylinder stroke measurement
- Subsea reservoir level measurement¹

¹ For subsea applications (up to 75 meters water depth) the WLM 5 UW is required / applicable.



WIRE LENGTH MEASUREMENT 5 SPECIFICATIONS

GENERAL

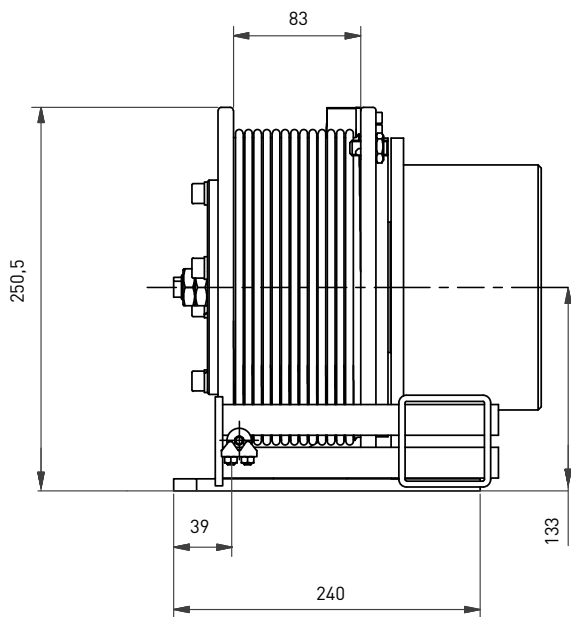
	METRIC	IMPERIAL
Main dimensions	See detailed drawings	
Material housing / frame	Pa6G / Stainless steel 316L	
Weight in air	± 18 kg	± 40 lbs
Nom. pull force start of stroke	≥ 50 N	≥ 11.2 lbf
Nom. pull force end of stroke	≤ 200 N	≤ 45 lbf
Maximum effective measurement length	5 m	16.4 ft
Water resistance	IP 67	
Operational temperature range	-10°C - +70 °C	14 °F - +158 °F
Gland cable diameter	PG 13.5	

ELECTRICAL – ANALOG DATA OUTPUT

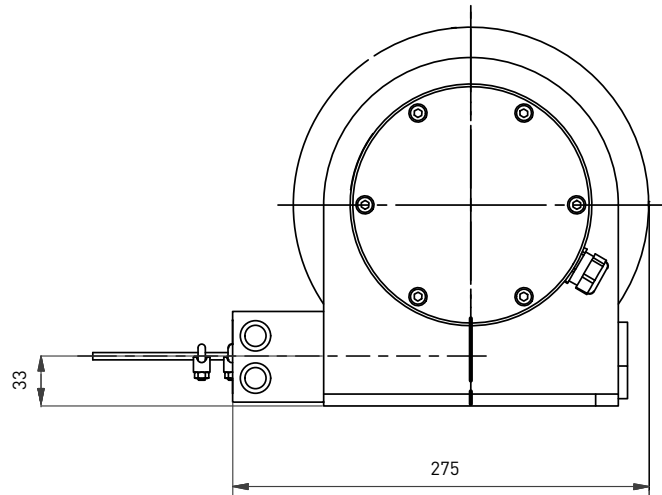
	VOLTAGE OUTPUT	CURRENT OUTPUT
Supply voltage	8 - 32 V DC	8 - 32 V DC
Current consumption	15 mA (without load)	20 mA (without load)
Output signal	0.5 – 9.5 V	4 – 20 mA
Load on output	>5 kΩ at 12 V DC	<500 Ω
Resolution	13 Bit (over entire measurement range)	
Linearity	0.15 %	
Settling time	80 ms	

DIMENSIONS

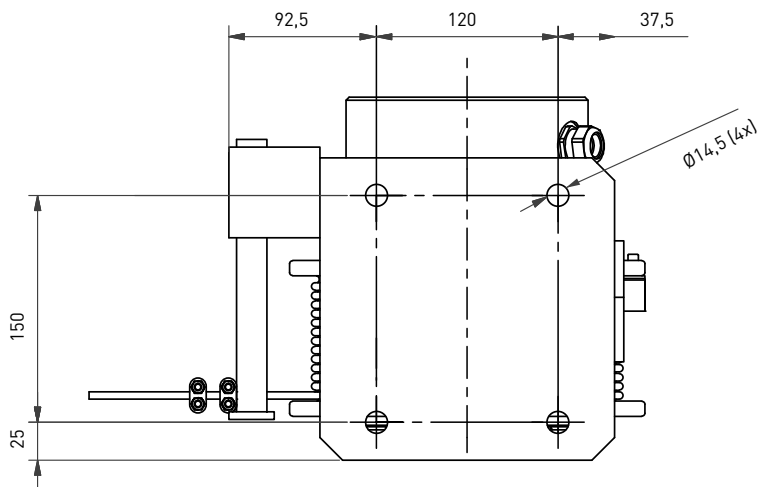
FRONT VIEW



SIDE VIEW



BOTTOM VIEW



3D CAD files in STEP format are available on www.seatools.com

seatools

Edisonstraat 67
3281 NC Numansdorp
The Netherlands
Tel. +31 (0) 186 68 00 00
www.seatools.com
info@seatools.com

UNDERWATER SPECIALISTS