

PROXIS® 47
SUBSEA PROXIMITY
SWITCH
PRODUCT SHEETS

Proxis® 47: Subsea proximity switch designed to withstand harsh operating conditions



SELECTION & OPTION LIST

For every Proxis® 47 the following configuration items must be determined:

- **Switching output.** The Proxis® 47 can be delivered with two different switching outputs: NO or NC.

The sensor is standard delivered with a stainless steel 316L welding plate (please refer to the dimensions section for more information).

Furthermore, the following features are optional:

A Connector type

The sensor is standard supplied with a Subconn® Circular Male connector. Alternatively the sensor can be delivered with other connector types or a stainless steel cable gland. In that case the sensor is delivered including 3 meters cabling (other lengths on request).

B Cable assembly

In case a Subconn® Circular connector is selected, the sensor can be supplied with custom-made cabling in a variety of lengths, allowable loads, and connector types.



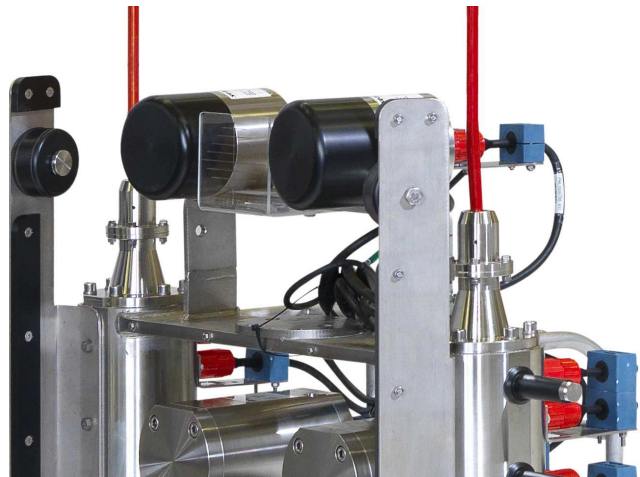
Subconn® Circular connector

TYPICAL APPLICATIONS

The Proxis® 47 is specifically designed for accurate metal object detection in subsea environments. Typical applications include:

- Moonpool hatch position detection
- Subsea actuator end-position detection
- Survey frame position detection
- Lock gates position detection

Custom design Proxis® sensor installed on subsea monitoring system



PROXIS® 47 SUBSEA PROXIMITY SWITCH SPECIFICATIONS

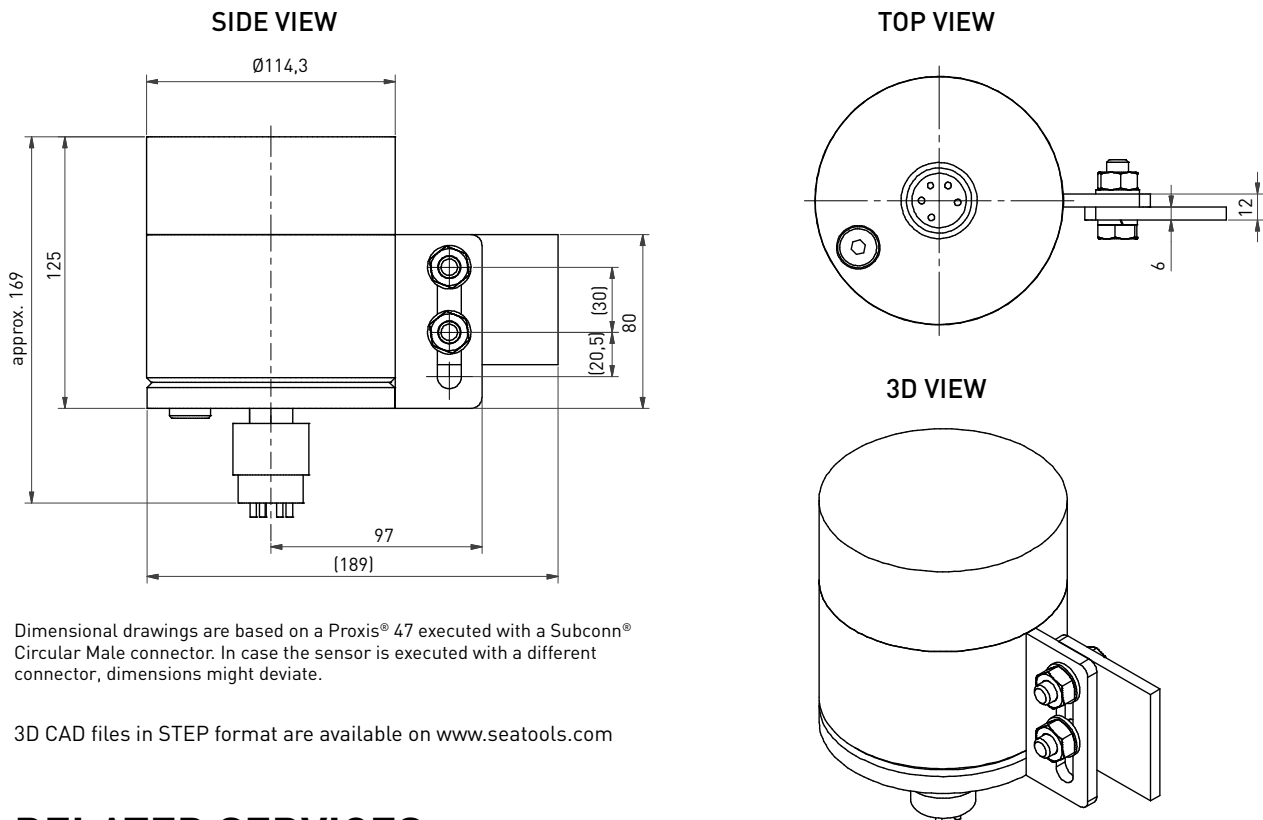
GENERAL

	METRIC	IMPERIAL
Main dimensions	See detailed drawings	
Material housing	Stainless steel AISI 316L, nylon, and cast resin	
Weight in air	± 3.2 kg	± 7.05 lbs
Maximum working depth (with cable gland)	50 msw	164 ft
Maximum working depth (with connector)	1000 msw	3281 ft
Operational temperature range	-20°C - +50 °C	-4 °F - +122 °F
Type of sensor	Inductive sensor	
Sensing distance (to steel)	47 mm	0.87 inch
Flush / non-flush mounting	Non-flush	

ELECTRICAL

Power supply	10 – 55 VDC
Current consumption	< 10 mA
Maximum switch current	400 mA
Voltage drop	< 2 VDC
Maximum switch frequency	100 Hz
Output signal	NC (standard setting) or NO

DIMENSIONS



Dimensional drawings are based on a Proxis® 47 executed with a Subconn® Circular Male connector. In case the sensor is executed with a different connector, dimensions might deviate.

3D CAD files in STEP format are available on www.seatools.com

RELATED SERVICES

Client advisory

During the selection process, we consult clients to ensure they opt for the right proximity sensor. In our recommendation we take into consideration measurement range, required accuracy, system setup, data communication, mounting possibilities, vibrations, and other factors that are relevant to your case.

Custom-made versions

Next to our standardized series, Seatools offers custom-made subsea proximity sensors that are tailored to your specifications. Please contact our sales department to request a customized proximity sensor.

Subsea monitoring & control systems

Next to the delivery of stand-alone sensors, we can deliver full-fledged subsea monitoring systems, including all related systems such as mechanics, software, electronics, and controls.

seatools

Edisonstraat 67
3281 NC Numansdorp
The Netherlands
Tel. +31 (0) 186 68 00 00
www.seatools.com
info@seatools.com

UNDERWATER SPECIALISTS